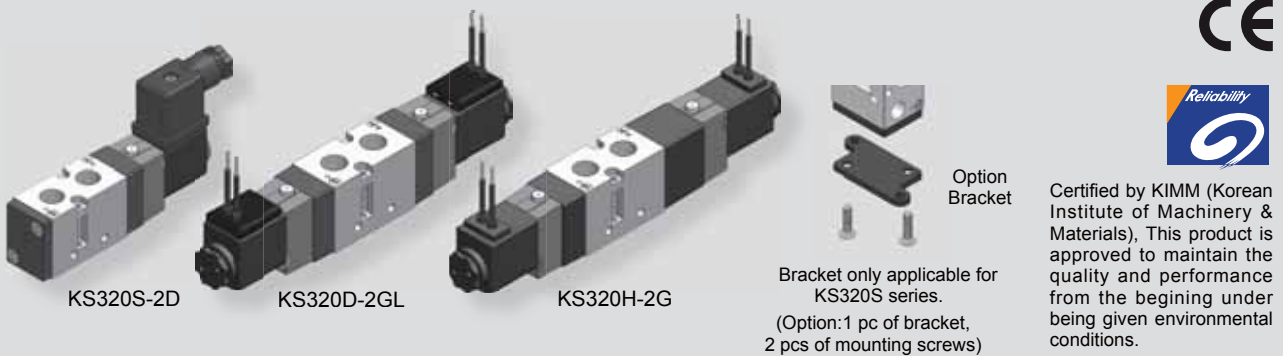


KS320 series



Solenoid Valve
Reference Data
KT100 KMF1000
KS105 KMF0500
KS210 KMF1000
KS320 KMF2000

How to Order

KS 320 S - 1 GL -

Port type

Nil	Rc(PT) (Standard)
G	G

Function

Function	Symbol
S Single acting	
D Double acting	
H Closed center	
I Pressure center	
J Exhaust center	

O-Ring

Nil	Without O-Ring (Standard)
C	With O-Ring

Voltage

1	AC 100/110V 50/60Hz
2	AC 200/220V 50/60Hz
3	DC 24V
4	DC 12V

Custom made with AC24V, AC48V, DC48V, DC100V is available.

Manual override

Nil	Non-locking push type (Standard)
L	Locking type

Option

Nil	Without bracket
B	With bracket

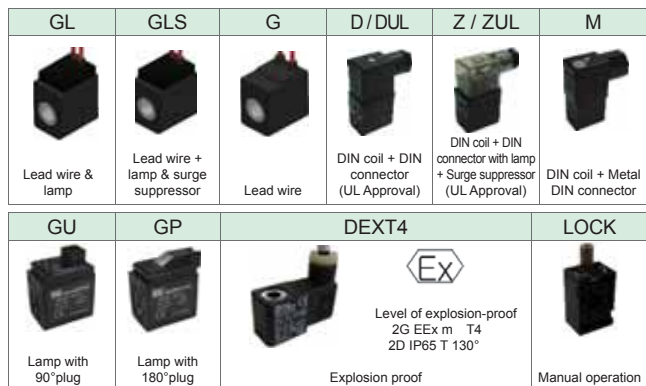
Electrical connection

GL	Lead wire & lamp
GLS	Lead wire + lamp & surge suppressor
G	Lead wire
D	DIN coil + DIN connector
DUL	DIN coil + DIN connector (UL Approval)
Z	DIN coil + DIN connector with lamp + Surge suppressor
ZUL	DIN coil + DIN connector with lamp + Surge suppressor (UL Approval)
GU	Lamp with 90° plug(400mm)
GP	Lamp with 180° plug(400mm)
DEXT4	Explosion proof
M	DIN coil + Metal DIN connector

KS530 KMF3000
KS640 KMF4000
KS524
KS534
KS328
KS341 KMF2341
KS342 KMF2342
KPS542

Specifications

Type	S	D	H / I / J
Fluid	Air, Inert gas		
Port size	Rc(PT) 1/4, G 1/4		
Effective sectional area Smm ² (Cv)	19mm ² (1.0)	14mm ² (0.8)	
Operating pressure	1.5~9kgf/cm ² (0.15~0.9MPa)	2~9kgf/cm ² (0.2~0.9MPa)	
Max. operating frequency	5 cycle/sec	3 cycle/sec	
Response time {at 5kgf/cm ² (0.5MPa)}	≤ 30ms	≤ 40ms	
Lubrication	Not required		
Manual override	Non-locking push type (Standard), Locking type		
Power consumption	DC	2.8W	
	AC	4.5/3.6VA (50/60Hz)	
Allowable voltage	±10% rated voltage		
Ambient & fluid temperature	5 ~ 60		
Coil insulation	Class F		
Applicable cylinder	Ø32~Ø100		
Weight	250g	350g	450g

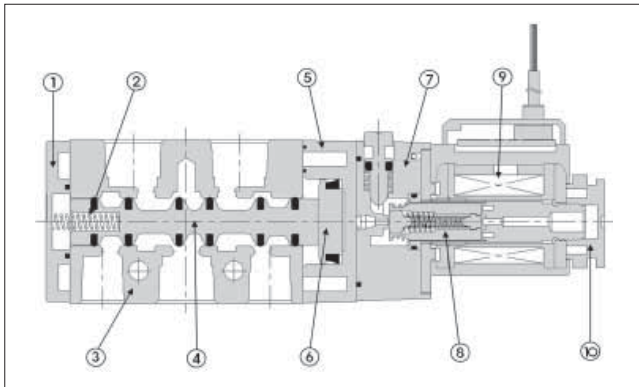


KCAS
KJAS
KST

Features

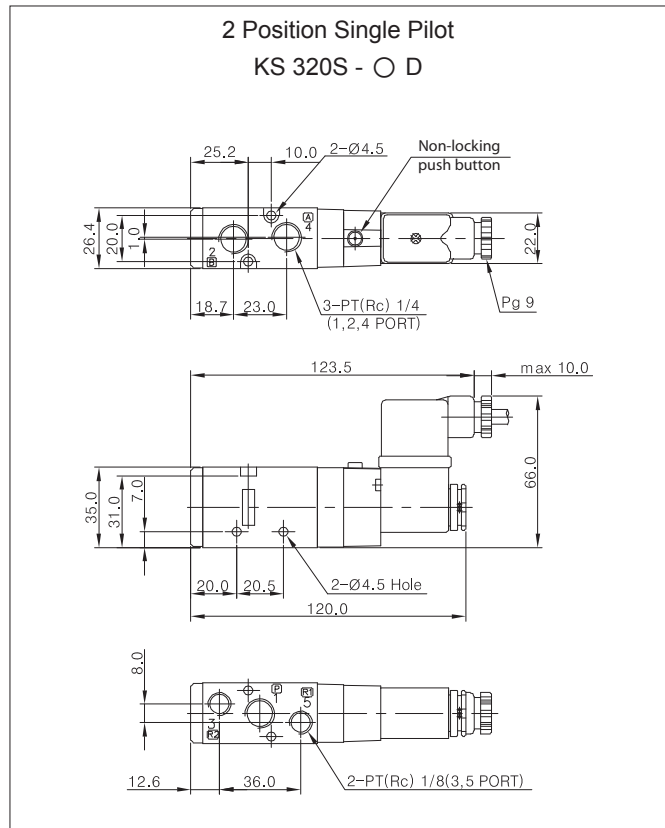
- Excellent durability with its non-lubricated type.
- Minimized installing area with its small size.
- Perfect for controlling system by PLC or computer with its low consuming current type.

Structure

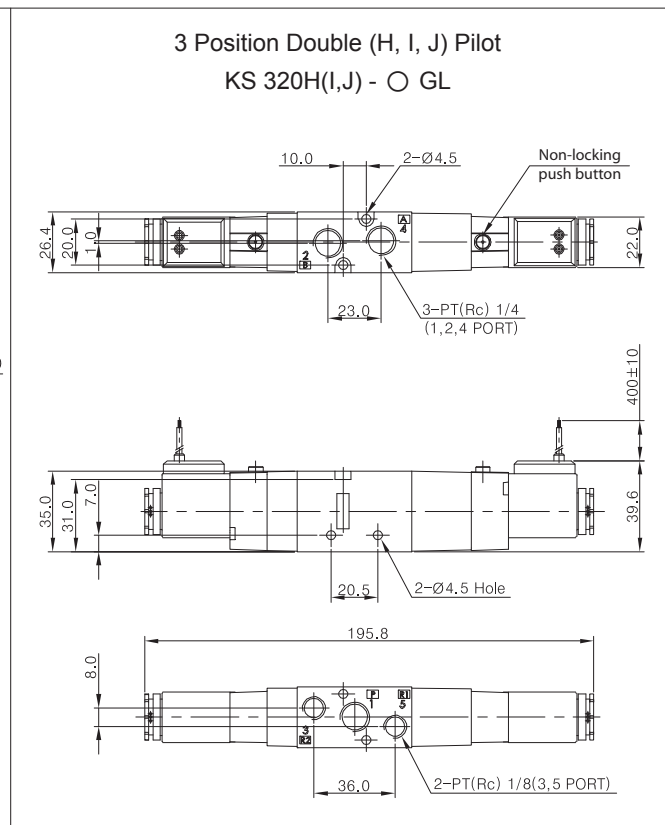
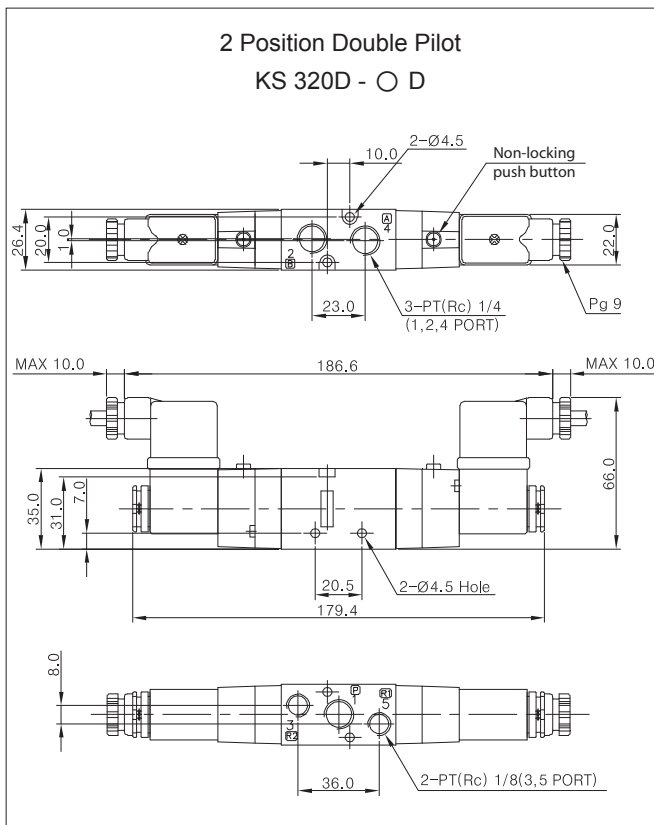


Part no.	Parts	Material
1	Cover	Metal
2	Spool Spring	SUS
3	Body	AL D/C
4	Spool Ass'y	AL & Others
5	Pilot	Plastic Resin
6	Piston	Plastic Resin
7	Seat	Plastic Resin
8	Plunger	Stainless Steel Steel
9	Coil Ass'y	CU & Others
10	Lock Nut	Plastic Resin

Dimensions



Dimensions

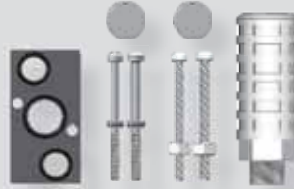




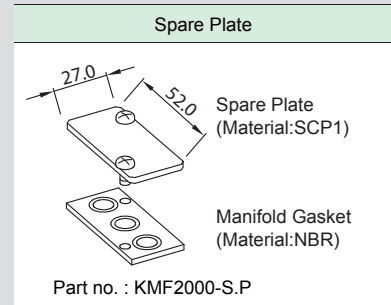
KMF2000 Manifold Block



KMF2000-4



Accessory of manifold block



Solenoid Valve

Reference Data

KT100
KMF0100

KS105
KMF0500

KS210
KMF1000

KS320
KMF2000

KS530
KMF3000

KS640
KMF4000

KS524

KS534

KS328

KS341
KMF2341

KS342
KMF2342

KPS542

KCAS

KJAS

KST

How to Order

KMF2000 - 4

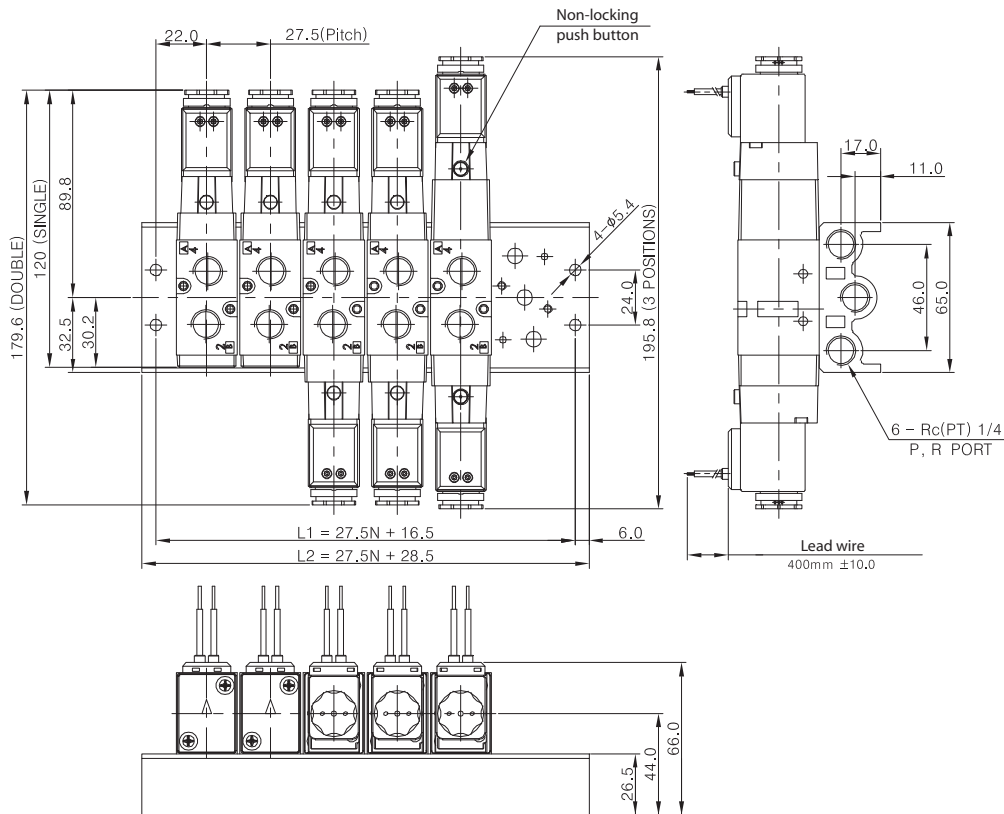
Series

KMF2000	5 Port manifold block for KS320 series	Rc(PT) (Standard)
KMFG2000		G

Station

2	2 Stations	5	5 Stations	8	8 Stations
3	3 Stations	6	6 Stations	9	9 Stations
4	4 Stations	7	7 Stations	10	10 Stations

Dimensions



Compatible valve						
KCC	CKD	SMC	SY	TPC	YPC	PARKER
KS320	-	VF-3130	SV-210	DS3000	SF4000	PHS520

Station	2	3	4	5	6	7	8	9	10
L1	71.5	99	126.5	154	181.5	209	236.5	264	291.5
L2	83	111	138.5	166	193.5	221	248.5	276	303.5